

FOLDING PORTABLE SNEEZEGUARD



easy as

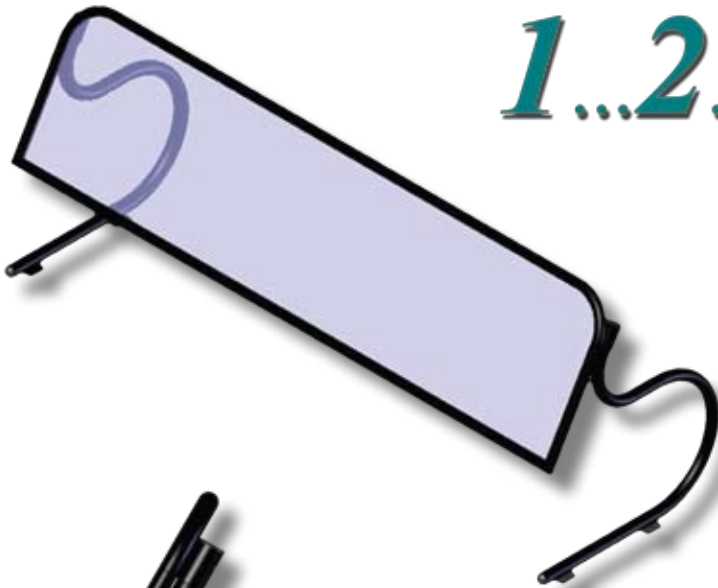
Installation



is as



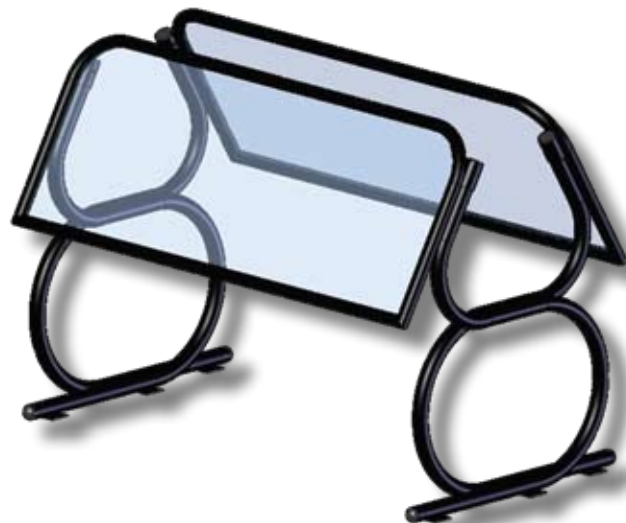
1...2...3...



- Use 1 for single sided service or 2 back to back for double sided table service.
- 14" Wrist Clearance.
- Designed to fit standard sized banquet tables.
- For use when food is not elevated above table.

Concerned about how to store your sneeze guards to prevent damage?

Storage and handling solutions are available.



ANSI/NSF 2

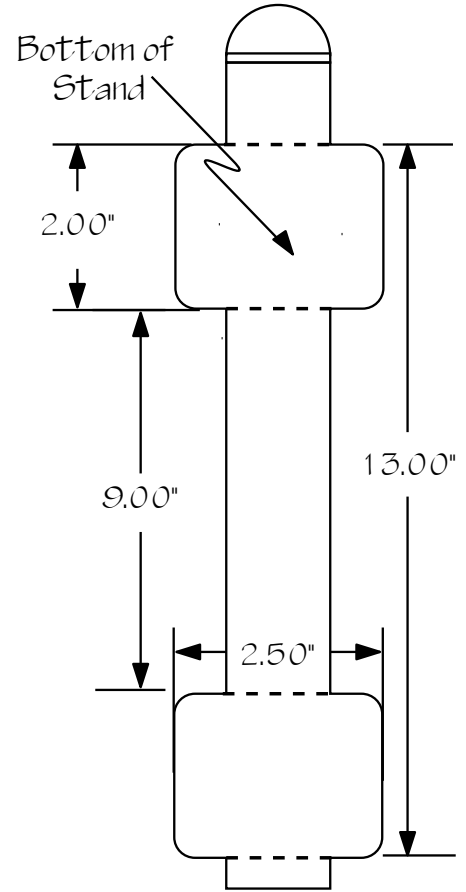
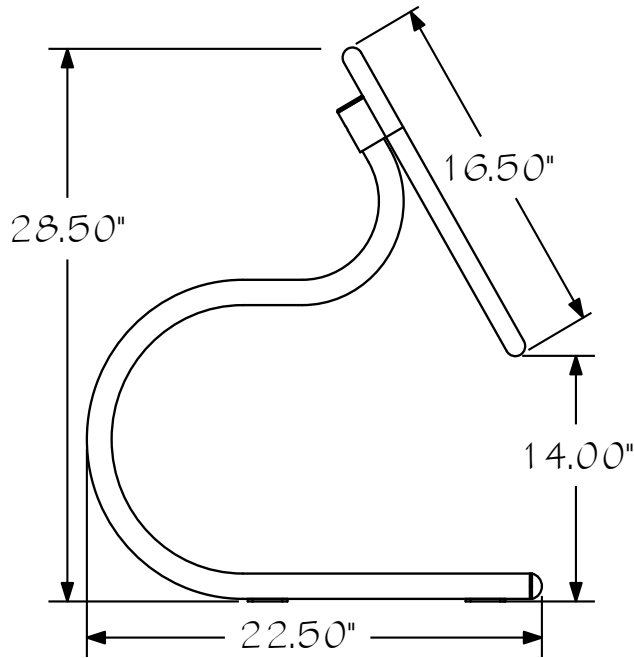
* Images are computer renderings, not actual photos, some color variance may occur from what is rendered to the actual powder coat finish.

Phone: 800-569-2056

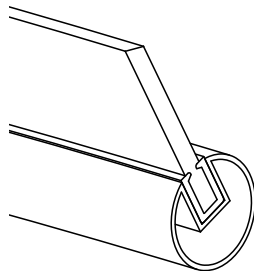
Fax: 573-449-7126

www.sneeze-guard-solutions.com

SPECIFICATIONS



FOLDING PORTABLE



- Exclusive extruded 1" Groove Tube
- Mounted in rubber gasket
- 1.25" aluminum stands
- Scratch resistant acrylic food shield
- Powder coated finish

Model #	Nominal Length	Overall Length	Between Stands	Weight	Color Available
0801	2 foot*	25.5"	20.5"	8 lbs	Black/Rich Gold
0901	3 foot*	34.75"	29.75"	9 lbs	Black/Rich Gold
1001	4 foot	46.75"	41.75"	10 lbs	Black/Rich Gold
1101	5 foot	58.75"	53.75"	13 lbs	Black/Rich Gold
1201	6 foot	70.75"	65.75"	14 lbs	Black/Rich Gold
1281	8 foot	94.75"	89.75"	18 lbs	Black/Rich Gold

When ordering Rich Gold, change last digit to 2 for color selection.

**One leg does not lock in a closed position due to short length of guard.*

Silver available upon request Call for quote on substituting tempered glass for Acrylic food shield.